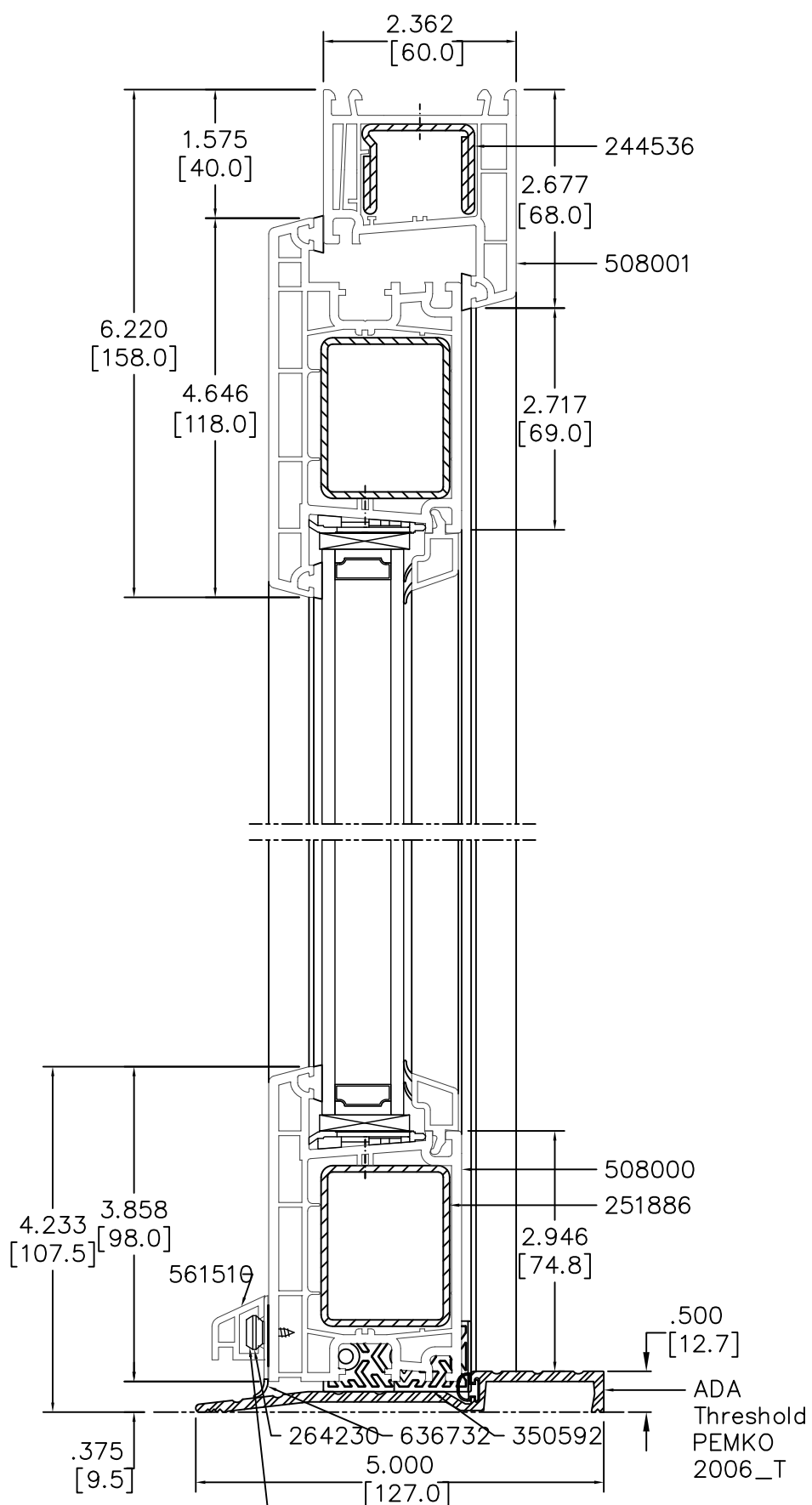
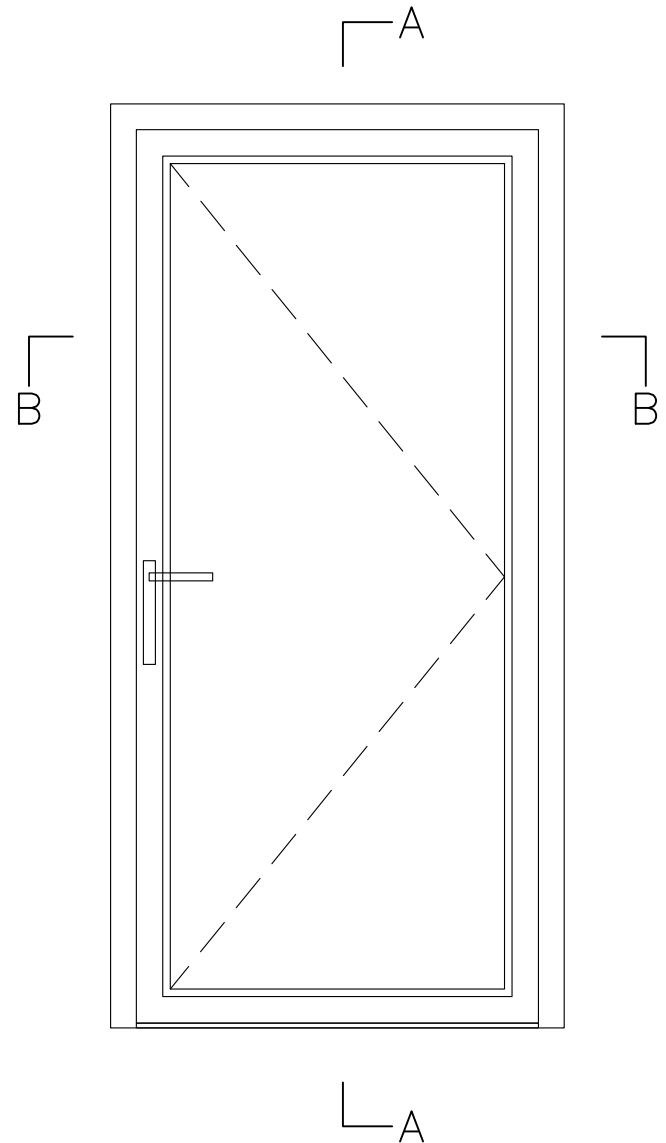


Section B-B



Section: A-A

Fasten Screw-in Retainer to profile with #4 flat-head screws, 2 in (50 mm) from each end and every 8 in (200 mm) maximum spacing.



Axis position of hinge must be confirmed before processing. It will affect the egress size.

		System: 4500 SERIES	
		Title: Single Out-Swing Door use EU Frame, Sash T118 and ADA-Threshold	
		Date:	Scale:
		Drawing No.:	SN: Rev.:
		©	

STARR WINDOWS & DOORS INC.
214 STARR ST, BROOKLYN NY, 11237
WWW.STARRWIN.COM